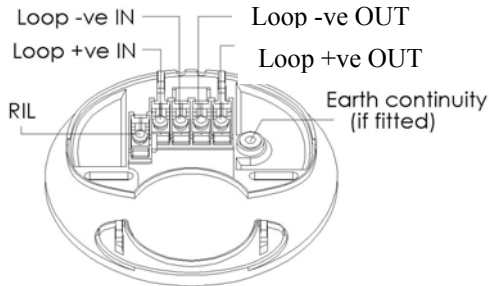


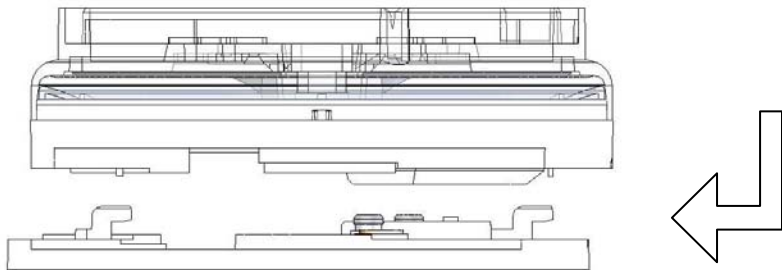
# EV-AV2 Installation instructions

(Engineering units June '09)\* see note

1. Fix base plate to ceiling or wall using 2 x screws through the slots provided.
2. Connect loop wires to each terminal as shown below.  
(Ensure that excess wire is pushed back through the centre aperture as this may restrict assembly)



3. Program device address using hand held programmer and flying leads BEFORE attaching to base plate
4. Locate and clip on EV-AV2 product.  
(Push down in off-set position and slide across until it clicks into place)



To release, push terminal screwdriver into release hole and slide the product in the reverse direction.

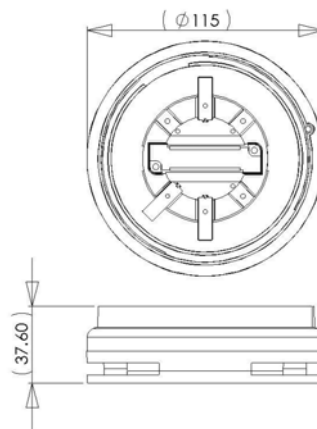
5. Select tone, flash and volume options ( DIL switch & Pot. Adjust)  
DIL switch settings are below – SW1 to SW8.

SW1	SW2	Flash type	Flash frequency
OFF	OFF	25ms on, 25ms off, 25ms on *	1s
ON	OFF	Single 50ms pulse *	2s
OFF	ON	Single 50ms pulse *	1s
ON	ON	50ms on, 25ms off, 50ms on *	2s

SW 3 = Not used

SW 4 = Higher output when switched to the 'ON' position

Tone No.	SW5	SW6	SW7	SW8	Description	Second tone
1	OFF	OFF	OFF	OFF	660Hz and 938Hz alternating at 0.5 sec on each freq.	Pulsed 938 1s on, 1s off
2	ON	OFF	OFF	OFF	938Hz continuous	Pulsed 938 1s on, 1s off
3	OFF	ON	OFF	OFF	938Hz pulsed 1s on 1s off	938Hz continuous
4	ON	ON	OFF	OFF	Sweep tone 800Hz to 1000Hz at 1s	Pulsed 938 1s on, 1s off
5	OFF	OFF	ON	OFF	DIN tone 1200Hz to 500Hz at 1s	Pulsed 938 1s on, 1s off
6	ON	OFF	ON	OFF	Dutch tone 500 Hz to 1200 Hz at 3.5s then 0.25 gap	Pulsed 938 1s on, 1s off
7	OFF	ON	ON	OFF	660 Hz and 938Hz alternating Low vol. 55dB(A)	Pulsed 938 1s/1s Lo vol.
8	ON	ON	ON	OFF	750Hz / 1000Hz alternating 0.5s each freq.	Pulsed 938 1s on, 1s off
9	OFF	OFF	OFF	ON	440Hz (100ms) / 554Hz (400ms) alternating French tone	Pulsed 938 1s on, 1s off
10	ON	OFF	OFF	ON	2400Hz to 2900Hz sweep over 1s	Pulsed 938 1s on, 1s off
11	OFF	0	OFF	ON	910Hz and 685Hz alternating at 0.25s on each freq.	Pulsed 938 1s on, 1s off
12	ON	ON	OFF	ON	925Hz and 628Hz alternating at 0.25s on each freq.	Pulsed 938 1s on, 1s off
13	OFF	OFF	ON	ON	TBA	
14	ON	OFF	ON	ON	TBA	
15	OFF	ON	ON	ON	TBA	
16	ON	ON	ON	ON	TBA	



	20 – 38 Vdc (Evolution system)
Voltage range	
Current consumption	9mA (Lo) and 18mA (Hi) *
Maximum power	685mW *
Sound output	73 – 88dB(A) tone dependant *
Volume control	Approx. up to -20dB adjustment
IP rating	23C

- Note – Engineering sample specifications are likely to change and may be different from those detailed above.
- Set DIP switches 1-4 to OFF